

Multiple satellite reception with GSS.compact und GSS.lamina

Features

- 4 SAT-IF inputs VL, VH, HL, HH
- 2 Unicable II outputs
- 16 DVB-S2 transponder into 16 Unicable frequencies
- Plug and Play



Preprogrammed for this application with:

- STS 1932 IPM
- STS 1916 IPM
- STS 1916 IPM CI / IPS CI
- MTS 1916 IPS CI
- STC 4-16 CT CI
- MTC 5-16 CT CI
- STC 4-16 IPM CI / IPS CI

Select option "Unicable II" at the input menu of the sets.

The inputs of the stations will be preset to the unicable frequencies.

Thus, you can receive a satellite with 4 levels (VL, VH, HL, HH) at each input to which you connect a SUCP 516.

- External PSU wit Power Inserter
 - No load for the headend stations.

HDTV

DVB
Digital Video
Broadcasting

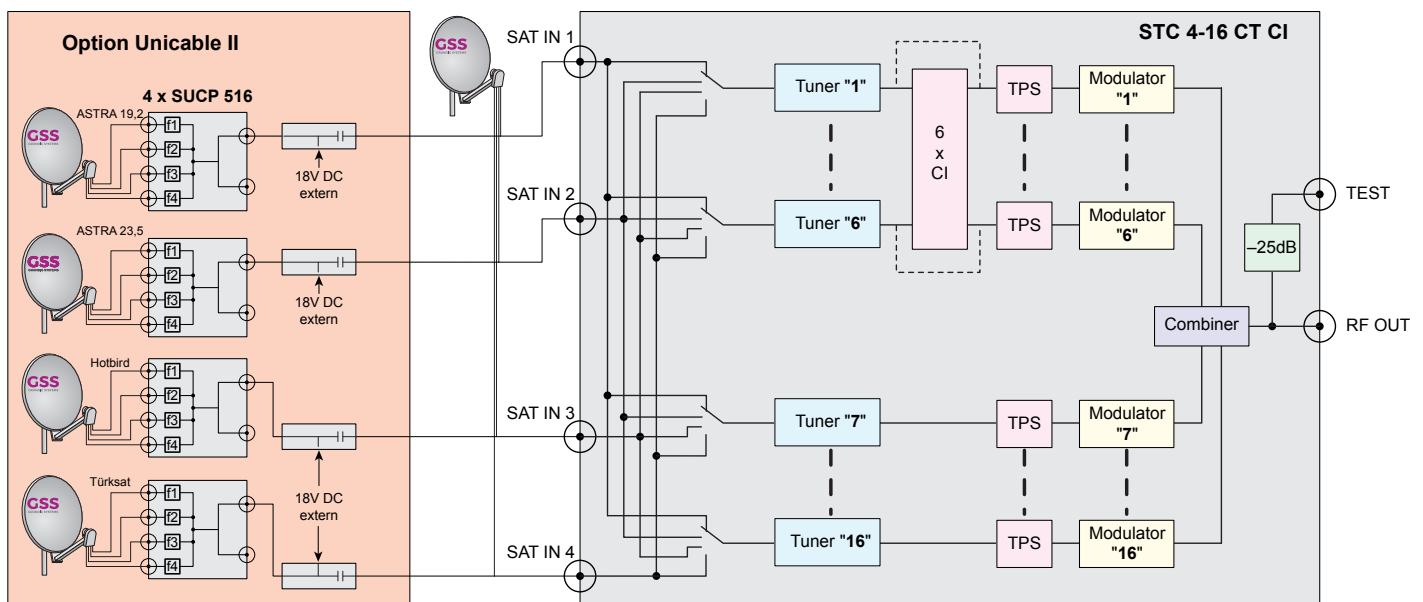


multi
MD
digital®



16/32
APSK

Example for the reception of 3 resp. 4 satellites with one STC 4-16 CT CI



Technical data:

The devices meet the EU directives 2011/65/EU, 2014/30/EU and 2014/35/EU.

The product fulfils the guidelines and standards for CE labelling.

Unless otherwise noted all values are specified as "typical".

Inputs

4 x SAT IF inputs:for 1 Quattro LNB (default)
1 x UHF / VHF input for terrestrial antenna

Outputs

4 x SAT IF loop through outputs F socket
1 x terr. loop through output F socket
2 x Unicable output (SCR)for connection of the headend station, F socket

Frequency range

Satellite:..... - Quattro LNB: 950-2150 MHz (default)
Terrestrial:47-862 MHz

Loophrough loss

Satellite:.....max. 4 dB
Terrestrial:max. 4 dB

Gain (without AGC)

Satellite: Unicable II (dCSS):..... min. 25 dB
Terrestrial: no amplification, typ. -15 dB

Level

Input power level -50 dBm ... -15 dBm
Output power level (AGC controlled).....-25 dBm (default)

Isolation

Satellite-Satellite outputs:..... min. 25 dB
Satellite-Terrestrial:..... min. 25 dB

General

Control protocol..... DiSEqC™ commands extension according to CENELEC EN50494 and/or EN50607
Dimensions (W x H x D mm) 110.50 x 113.50 x 20.80 mm
Temperature range -20 °C ... +60 °C

AC/DC adaptor

Input voltage: 100-240 V AC, 50/60 Hz
Output voltage:..... 19 V DC
Output current: 940 mA
Short circuit protection: Yes