

Technical Specification



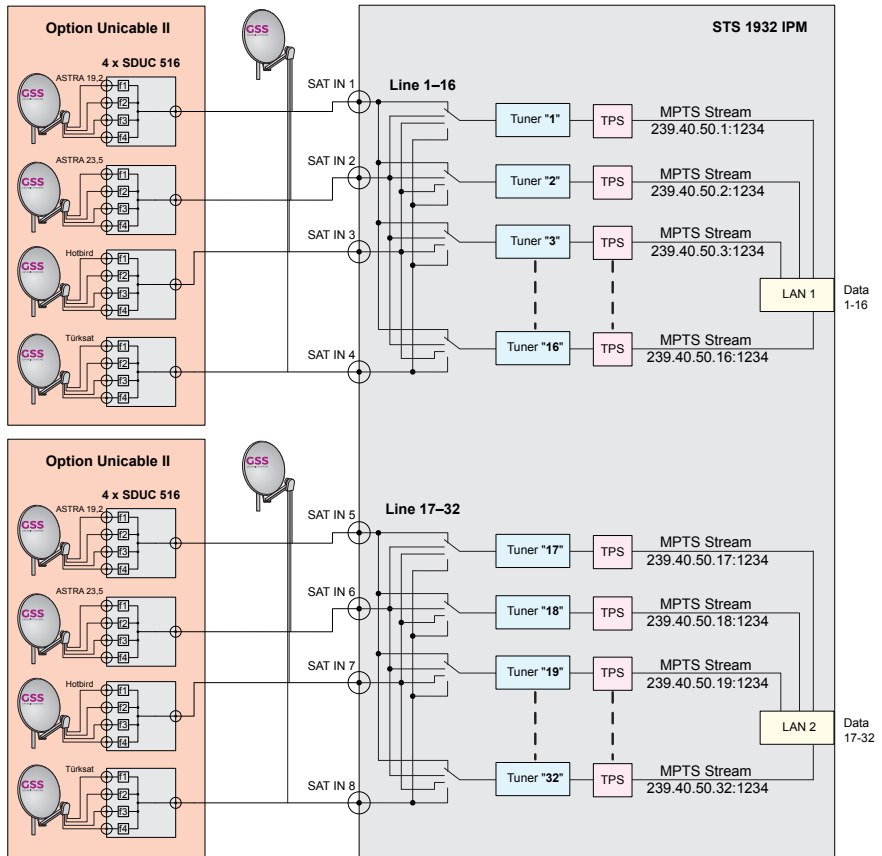
STS 1932 IPM

Default access data:
192.168.0.120
User: admin
Password: geheim

DESCRIPTION

The head-end station converts 32 transponders modulated acc. to DVB-S/DVB-S2 standard (up to 32 APSK) into 32 MPTS transportstreams. In conjunction with specially programmed Unicable II multi-switches up to 8 satellites can be received.

BLOCK DIAGRAM



DESIGN TYPE

Version GSS.lamina
 Aluminium housing with stainless steel covers 483 mm x 44.5 mm (1HU) x 490 mm..... 19" rack
 Weight: 5.5 kg
 Permissible ambient temperature: 0 ... +50 °C
 PSUs:..... 2 (redundant; can be exchanged individually during operation)
 Active cooling..... 3 case fans (can be exchanged individually during operation), 2 PSU fans

FEATURES

IN-/OUTPUTS

| | |
|---|---|
| SAT IF inputs..... | 8 (inputs 1...8) |
| LNB power supply 14V/18V optionally 14V fix; switchable; inputs 1...4 | max. 500 mA |
| LNB power supply 14V/18V optionally 14V fix; switchable; inputs 2...8 | max. 500 mA |
| Unicable II operation ¹⁾ | max. 8 satellites with 4 levels each |
| | ¹⁾ in conjunction with specially programmed Unicable II multi-switches |
| LAN data output | 2 |
| LAN control inputs ²⁾ | 2 (for control and another Lamina) |
| | ²⁾ internally connected via an integrated switch |

INPUT SIGNAL PROCESSING

| | |
|--|--|
| Individual input designation (inputs 1...8)..... | adjustable; e.g. satellite/level |
| Individual input signal name..... | for input lines 1...32 |
| Input lines 1...16 | DVB-S/S2; inputs 1...4 selectable |
| | Display of frequency offset and C/N with reserve |
| Input lines 17...32 | DVB-S/S2; inputs 5...8 selectable |
| | Display of frequency offset and C/N with reserve |

FILTER

| | |
|--|--------------------------------------|
| Station filter | lines 1...32 |
| PID filter | lines 1...32 |
| Indication of the... | |
| ...TS/ON IDs | lines 1...32 |
| ...current/maximum possible total output data rate | Σ Output lines 1...16/17...32 |
| ...current output data rate/line | Output lines 1...32 |
| ...maximum possible output data rate/line | Output lines 1...32 |

OUTPUT SIGNAL PROCESSING

| | |
|--|--------------------|
| Maximum over all output data rate | 1600 MBit/s |
| Σ output lines 1...16 | max. 800 MBit/s |
| Σ output lines 17...32 | max. 800 MBit/s |
| Output lines..... | 32 |
| Output signal form | MPTS |

MPTS output signals

| | |
|--|--------------------------------------|
| Protocols | UDP or RTP |
| Indication of the... | |
| ...current/maximum possible total output data rate | Σ Output lines 1...16/17...32 |
| ...current output data rate/line | 1...32 |
| ...maximum possible output data rate/line | 1...32 |
| Output lines..... | can be switched off individually |
| Multicast IP addresses and ports | adjustable |
| Maximum output data rate/line..... | adjustable |
| Quick-Setup..... | for output lines 1...32 |
| M3U service list..... | for Panasonic-VIERA-TV devices |

Virtual RF output signals (to generate a NIT and LCN)

Output modulation adjustable for the complete station**QAM or COFDM**
RF output linescan be switched off individually

Virtual QAM (to generate a NIT and LCN)

Frequency/Channel; Symbol rate; Modulation, Spectrum individually adjustable for each output line.

Virtual COFDM (to generate a NIT and LCN)

Frequency/Channel; Spectrum; Modulation; Code rate; Guard interval; Bandwidth individually adjustable for each output line

NIT

A generated NIT is output via the MPTS output data streams.

Renew; delete; add transponder; import NIT of other devices; export NIT

NIT modes: Output of the displayed NIT (user); alternatively, transmission of the input NIT (original); alternatively, no NIT (deactivate).

Note in case of faulty NIT

LCN

Generation of an LCN list (programme location number preassignment)

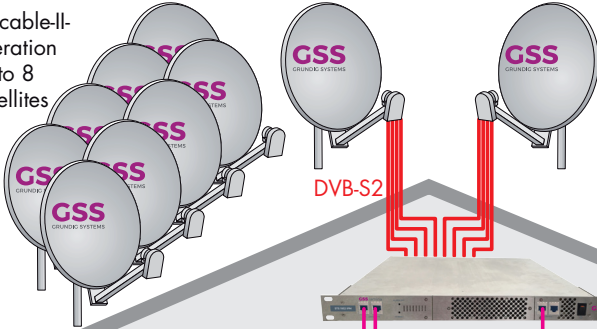
A generated LCN is output via the MPTS output data streams.

SYSTEM

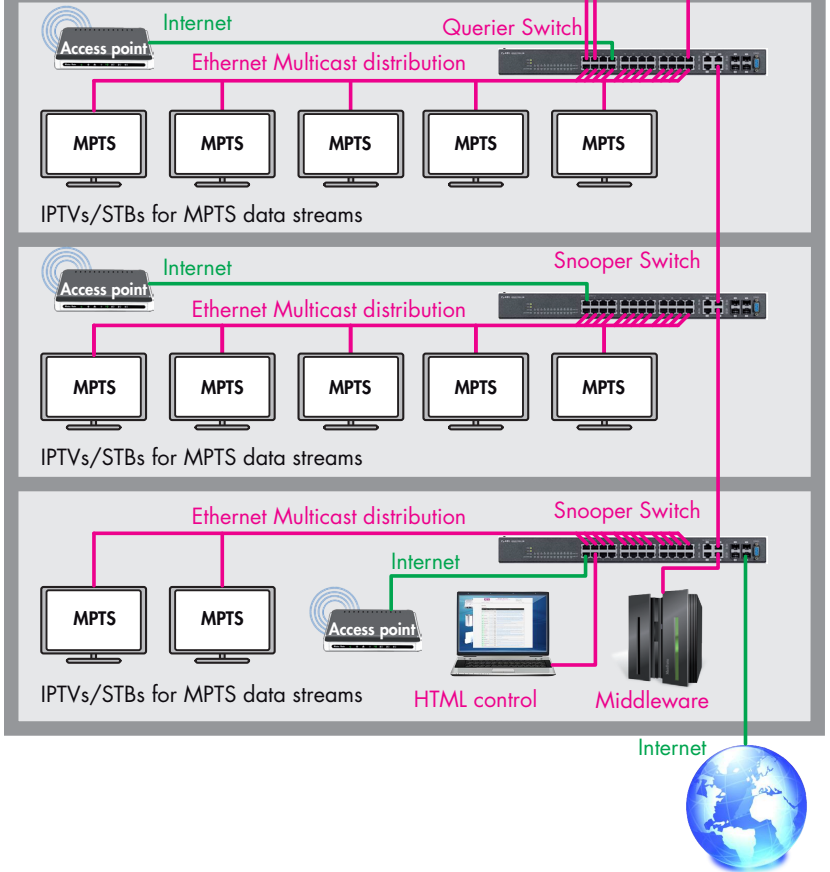
- User interface HTML
- Logbook..... Display of warnings and events
- Response times adjustable..... for input signal and data overflow errors
- Notification in case of errors via mail and to your syslog server ⁴⁾
- Transmission of the logbook entriesto a syslog server ⁴⁾
⁴⁾ Internet connection required
- Network interfaces adjustable
- OpenVPN connection world wide access to the head-end station ⁴⁾
⁴⁾ Internet connection required
- Safety..... Password protection
- Number format for IDsswitchable decimal or hexadecimal
- Backup the configuration..... Backup and restore Manager.....several configurations can be stored in the device
- Network diagnostic tool Ping
- Factory reset (via menu "Firmware") all settings except password and IP address!
- Reset button..... only network settings and password
- Monitoringof power supplies and case fans
- Assembly instruction (offline; PDF)in menu Help

APPLICATION EXAMPLE

Unicable-II-
operation
up to 8
Satellites



Receiving Station
STS 1932 IPM
Conversion 32 x SAT
to 32 x IPTV MPTS



TECHNICAL DATA

The devices meet the following EU directives:
2011/65/EU, 2014/30/EU, 2014/35/EU
The product fulfils the guidelines and standards for CE labelling.

Unless otherwise noted all values are specified as "typical".

RF input DVB-S/S2 (ETSI 300 421)

| | |
|-------------------------|---------------------------------|
| Frequency range: | 950 ... 2150 MHz |
| DVB-S mode: | QPSK |
| DVB-S2 modes: | QPSK, 8PSK, 16APSK, 32APSK |
| Symbol rate DVB-S: | QPSK: 1 ... 45 MSymb/s |
| Symbol rate DVB-S2: | |
| QPSK | 4.5 ... 45 MSymb/s |
| 8PSK | 4.5 ... 45 MSymb/s |
| 16APSK | 4.5 ... 39 MSymb/s |
| 32APSK | 4.5 ... 32 MSymb/s |
| Maximum data rate/tuner | 83 MBit/s |
| Level range: | 60 dB μ V ... 80 dB μ V |
| Input impedance: | 75 Ω |
| LNC supply inputs 1-4: | 14 V/18 V max. 500 mA |
| LNC supply inputs 5-8: | 14 V/18 V max. 500 mA |

Over all output data

Data rate: ≤ 1600 MBit/s (≤ 800 MBit/s per output interface)

IPTV Output

MPTS: 16
Protocols: UDP (User Data Protocol), RTP (Real-Time Transport Protocol)

Connections

SAT inputs: 8 F sockets
LAN (for control/cascading) 100-BASE-T: 2 RJ 45 sockets
LAN (for data) 1000-BASE-T: 2 RJ 45 sockets

General

PSUs: 2 (redundant; can be exchanged individually during operation)
Mains voltage: 100...240 V, 50/60 Hz
Maximum Power consumption: 100 W
Admissible ambient temperature: 0 ... +50 $^{\circ}$ C
Dimensions (WxHxD): 483 mm x 44,5 mm (1HU) x 490 mm
Weight: 5.5 kg

GSS Grundig Systems GmbH • Beuthener Straße 43 • D-90471 Nuremberg
Phone: +49 (0) 911 / 633 240 0 • Fax: +49 (0) 911 / 633 240 98
www.gss.de/en • info@gss.de



Service: Phone: +49 (0) 911 / 633 240 90 • service@gss.de