

Technical Specification



STS 1916 IPSR CI

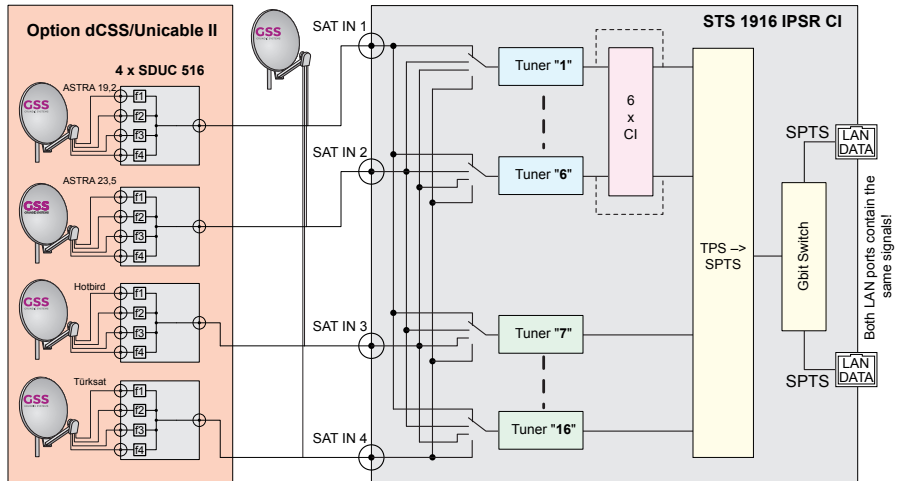
Default access data (HTML + SFTP):
192.168.0.120
User: admin
Password: geheim

DESCRIPTION

The head-end station converts 16 transponders modulated acc. to DVB-S-/S2/S2X standard (up to 32 APSK) into up to 128 SPTS transportstreams. In conjunction with specially programmed multi-switches up to 4 satellites can be received.

The SPTS output data streams are output via an internal switch at both Streaming outputs (DATA). An integrated MediaPlayer enables the output of a video stream (max. data rate 10MBit/s) in a loop.

BLOCK DIAGRAM



DESIGN TYPE

Version GSS.lamina
 Aluminium housing with stainless steel covers 483 mm x 44.5 mm (1HU) x 490 mm 19" rack
 Weight: 5.5 kg
 Permissible ambient temperature: 0 ... +50 °C
 PSUs: 2 (redundant; can be exchanged individually during operation)
 Active cooling: 3 case fans (can be exchanged individually during operation), 2 PSU fans

FEATURES

IN-/OUTPUTS

SAT IF inputs.....	4 (inputs 1...4)
LNB power supply 14V/18V optionally 14V fix; switchable.....	max. 500 mA
dCSS/Unicable II operation ¹⁾	max. 4 satellites with 4 levels each
	¹⁾ in conjunction with specially programmed multi-switches
LAN data output.....	1
LAN data output (redundant via internal switch).....	1
LAN control inputs ²⁾	2 (for control and another Lamina)
	²⁾ internally connected via an integrated switch

INPUT SIGNAL PROCESSING

Individual input designation (inputs 1...4).....	adjustable; e.g. satellite/level
Individual input signal name.....	for input lines 1...16
Input lines 1...16	DVB-S-/S2/S2X; inputs 1...4 selectable
	Display of frequency offset and C/N with reserve

CA

6 CI slots for CA modules.....	lines 1...6
TS/ON ID indication.....	lines 1...16

OUTPUT SIGNAL PROCESSING

Maximum over all output data rate (Σ of all output lines).....	820 MBit/s
Output lines (streams).....	max. 128 + 1 (Mediaplayer)
Output signal form.....	SPTS (Single Programme Transport Stream)
Integrated MediaPlayer for one transport stream format file (max. 10MBit/s).	

SPTS output signals

Protocols.....	UDP or RTP
IGMP.....	V2
Transmission of EPG data (Electronic Programme Guide).....	on/off switchable
Display of the current total output data rate.....	Σ output lines 1...128
Display of the current output data rate.....	output lines 1...128
Output lines.....	can be switched off individually
Multicast IP addresses and ports adjustable.....	output lines 1...128
Quick-Setup.....	for output lines 1...128
Generation of a M3U service list ³⁾	for GSS DRIP 1000 devices
Generation of a M3U service list ³⁾	for Panasonic-VIERA-TV devices
Generation of a M3U service list ³⁾	for LOEWE TV devices
Generation of a service list ³⁾	for VESTEL TV devices
Generation of a service list ³⁾	for BEWATEC TV devices
Generation of a service list ³⁾	for PHILIPS TV devices
SAP (Session Announcement Protocol).....	on/off switchable
IPTV list of all services ³⁾	in form of a *.csv file

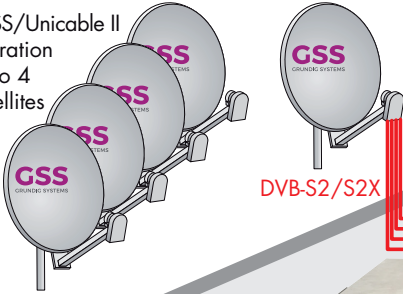
³⁾ possible via several connected stations

SYSTEM

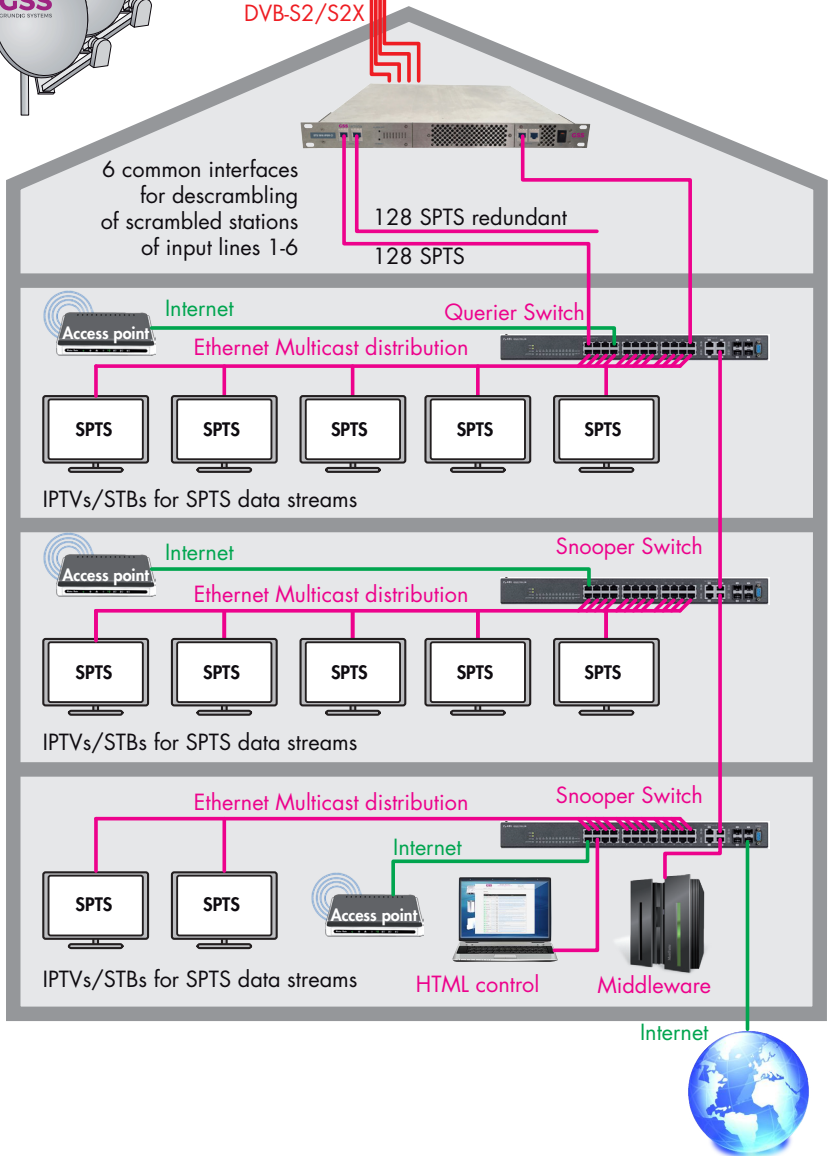
User interface	HTML
- User Administrator	Full access
- User Guest	read only, apply (save) locked
Logbook.....	Display of warnings and events
Response times adjustable.....	for input signal and data overflow errors
Notification in case of errors	via mail ⁴⁾
Transmission of the logbook entries	to a syslog server ⁴⁾
	⁴⁾ Internet connection required
Network interfaces	adjustable
OpenVPN connection	world wide access to the head-end station ⁴⁾
	⁴⁾ Internet connection required
Safety	Password protection
Number format for IDs	switchable decimal or hexadecimal
Backup the configuration.....	Backup and restore
Manager.....	several configurations can be stored in the device
Network diagnostic tool.....	Ping
Factory reset (via menu "Firmware").....	all settings except password and IP address!
Reset button.....	only network settings and password
Monitoring	of power supplies and case fans
Assembly instruction (offline; PDF)	in menu Help

APPLICATION EXAMPLE

dCSS/Uicable II operation up to 4 Satellites



Receiving Station **STS 1916 IPSR CI**
Conversion 16 x SAT to 128 x IPTV SPTS redundant



TECHNICAL DATA

The devices meet the following EU directives:

2011/65/EU, 2014/30/EU, 2014/35/EU

The product fulfils the guidelines and standards for CE labelling.

Unless otherwise noted all values are specified as "typical".

RF input DVB-S/S2/S2X (ETSI 300 421; ETSI EN 302 307-1/-2)

Frequency range:	950 ... 2150 MHz
DVB-S mode:	QPSK
DVB-S2 modes:	QPSK, 8PSK, 16APSK, 32APSK
DVB-S2X modes:	QPSK, 8PSK, 8APSK-L, 16APSK(L), 32APSK(L)
Symbol rate DVB-S:	QPSK: 1 ... 45 MSymb/s
Symbol rate DVB-S2:	
QPSK	4.5 ... 45 MSymb/s
8PSK	4.5 ... 45 MSymb/s
16APSK	4.5 ... 39 MSymb/s
32APSK	4.5 ... 32 MSymb/s
Maximum data rate/tuner	83 MBit/s
Level range:	60 dB μ V ... 80 dB μ V
Input impedance:	75 Ω
LNC supply:	14 V/18 V max. 500 mA

Over all output data

Data rate:	\leq 820 MBit/s
------------	-------------------

IPTV Output

SPTS	max. 128 + 1 (Mediaplayer)
IGMP	V2
Protocols:	UDP (User Data Protocol), RTP (Real-Time Transport Protocol)

Connections

SAT inputs:	4 F sockets
LAN (for control/cascading) 100-BASE-T:	2 RJ 45 sockets
LAN (for data) 1000-BASE-T:	1 RJ 45 socket
LAN (for data; redundant) 1000-BASE-T:	1 RJ 45 socket
Common Interfaces	6

General

PSUs:	2 (redundant; can be exchanged individually during operation)
Mains voltage:	100...240 V, 50/60 Hz
Maximum Power consumption	75 W
Admissible ambient temperature:	0 ... +50 $^{\circ}$ C
Dimensions (WxHxD):	483 mm x 44,5 mm (1HE) x 490 mm
Weight:	5.5 kg

GSS Grundig Systems GmbH • Beuthener Straße 43 • D-90471 Nuremberg

Phone: +49 (0) 911 / 633 240 0 • Fax: +49 (0) 911 / 633 240 98

www.gss.de/en • info@gss.de



Service: Phone: +49 (0) 911 / 633 240 90 • service@gss.de

