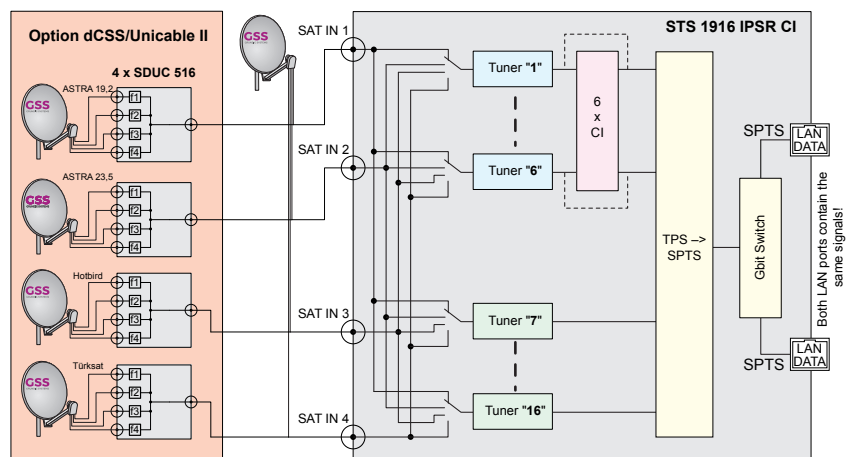
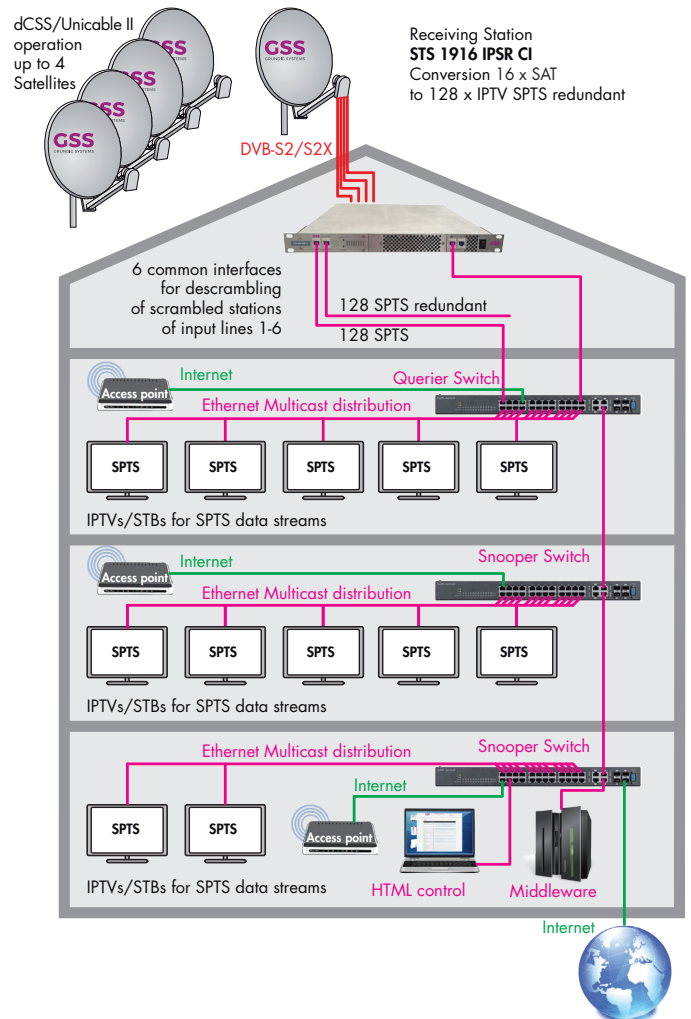


Head-End Station

16 x DVB-S2/S2X + 6 x CI → 128 SPTS redundant

Features

- 4 SAT IF inputs with integrated multiswitch
- Up to 4 satellites with each 4 levels...
... in conjunction with specially programmed multi-switches
- 16 DVB-S2 tuners with 16/32APSK support
 - SAT input selectable
- 128 SPTS (Single Programme Transport Stream)
 - Up to 128 services can be converted into IP SPTS transport streams.
 - Overall data rate max. 820 Mbit/s.
 - Redundant output
 - Free adjustable IP addresses.
 - EPG; can be switched off in order to reduce data rate.
 - Session Announcement Protocol (SAP) is supported.
 - Service list for Panasonic, Loewe, Philips, VESTEL and BEWATEC TV devices
- 6 CI slots for CA modules...
... for Tuner 1 – 6.
- Integrated MediaPlayer ...
... for one transport stream format file (max. 10MBit/s).
- HTML user interface
- World wide access via OpenVPN connection...
... by PC, tablet or smart phone with Internet access.
- Redundant power supply
 - Two fully satisfying mains units in half load operation;
 - for UPS and mains or two-phase operation.
 - Audible warning when one power supply fails;
 - individually replaceable during operation
- Notification in case of data overflow or transponder, fan or power supply failure
 - Response time for input signal or data overflow error adjustable.
 - Warning e-mail for error entries in the logbook.
 - Error message to Syslog server.
- Fan cooling
 - Fans can be replaced separately during operation



Technical data:

The devices meet the EU directives 2011/65/EU, 2014/30/EU and 2014/35/EU.
The product fulfils the guidelines and standards for CE labelling.

Unless otherwise noted all values are specified as "typical".

RF input DVB-S2/S2X

Frequency range:	910 ... 2150 MHz
DVB-S modes:	QPSK 1/2 , 2/3 , 3/4 , 5/6 , 7/8
DVB-S2 modes:	QPSK 1/2 , 3/5 , 2/3 , 3/4 , 4/5 , 5/6 , 8/9 , 9/10 8PSK 3/5 , 2/3 , 3/4 , 5/6 , 8/9 , 9/10 16APSK 2/3 , 3/4 , 4/5 , 5/6 , 8/9 , 9/10 32APSK 3/4 , 4/5 , 5/6 , 8/9 , 9/10
DVB-S2X modes:	QPSK, 8PSK, 8APSK-L, 16APSK(-L), 32APSK(-L)
Symbol rate DVB-S:	QPSK: 1 ... 45 MSymb/s
Symbol rate DVB-S2:	QPSK: 4.5 ... 45 MSymb/s 8PSK: 4.5 ... 45 MSymb/s 16APSK: 4.5 ... 39 MSymb/s 32APSK: 4.5 ... 32 MSymb/s
Maximum data rate/tuner:	83MBit/s
Level range:	60 dB μ V ... 80 dB μ V
Input impedance:	75 Ω
LNC supply:	14 V/18 V; maximum total output of 500 mA

LAN interface (for data)

Standard:	1000-BASE-T
Data rate:	\leq 820 MBit/s
IGMP:	V2
Protocols:	UDP (User Data Protocol), RTP (Real-Time Transport Protocol)

 Live Streaming/Multicast Streaming requires specially designed and configured networks.

Minimum Requirements include:

- Layer-3 Switched Ethernet
- Multicast Enabled IGMPv2
- Network and Multicast Routing Supported.

Connections

SAT inputs:	4 F sockets
LAN (for control/cascading) 100-BASE-T:	2 RJ45 sockets
LAN (for data) 1000-BASE-T:	2 RJ45 sockets

General

Mains units:	2 (can be replaced separately during operation)
Supply voltage:	100...240 V, 50/60 Hz
Maximum Power consumption:	75 W
Ambient temperature:	0...+50 $^{\circ}$ C
Dimensions (W x H x D):	483 mm x 44.5 mm (1HU) x 490 mm