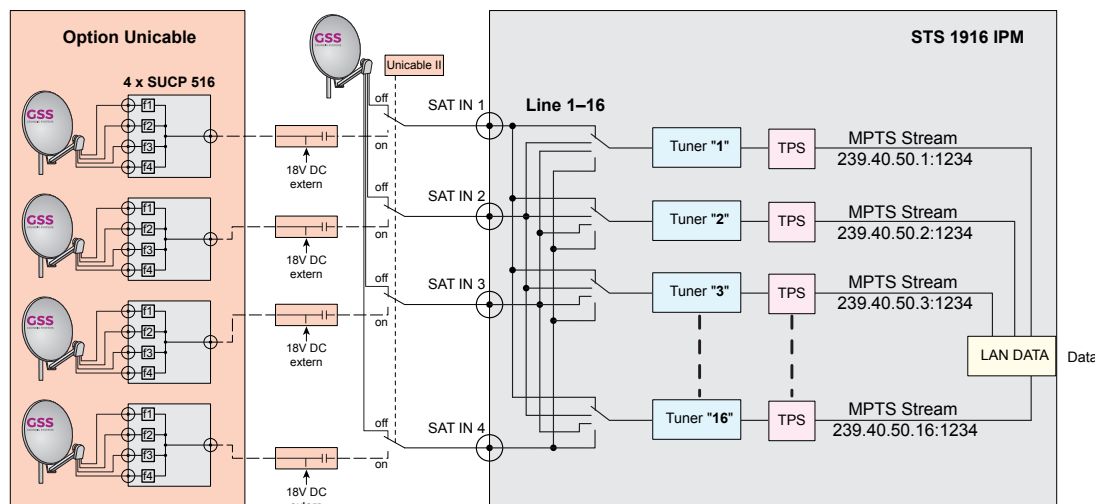


## Head-End Station

### 16 x DVB-S2 → 16 x MPTS

#### Features

- 4 SAT IF inputs with integrated multiswitch
- 16 DVB-S2 tuners with 16/32APSK support
  - SAT input selectable
- Station filter:
  - Programmes can be removed
  - Programme data stream incl. modification of the tables
- Transport Stream Processing:
  - Network Information Table (NIT) for complete head-end station
  - LCN (Logical Channel Numbering)
- Up to 4 satellites with each 4 levels in conjunction with SUCP 516 – Option Unicable II
- HTML user interface
- World wide access via OpenVPN connection...
  - ... by PC, tablet or smart phone with Internet access
- Redundant power supply
  - Two fully satisfying mains units in half load operation; for UPS and mains or two-phase operation. Audible warning when one power supply fails; individually replaceable during operation
- Fan cooling
  - Fans can be replaced separately during operation
- Warning e-mail in case of transponder, fan or power supply failure



**IPTV**

**DVB**  
Digital Video  
Broadcasting

multi  
**MD**  
digital®

**16/32**  
APSK

**LOW**  
WATT

REMOTE  
**RC**  
CONTROL

REMOTE  
**RU**  
UPDATE

KLASSE  
**A**  
CLASS

**CE**



## Technical data:

The devices meet the EU directives 2011/65/EU, 2014/30/EU and 2014/35/EU.  
The product fulfils the guidelines and standards for CE labelling.

Unless otherwise noted all values are specified as "typical".

### RF input DVB-S2

Frequency range:	910 ... 2150 MHz
DVB-S modes:	QPSK 1/2 , 2/3 , 3/4 , 5/6 , 7/8
DVB-S2 modes:	QPSK 1/2 , 3/5 , 2/3 , 3/4 , 4/5 , 5/6 , 8/9 , 9/10 8PSK 3/5 , 2/3 , 3/4 , 5/6 , 8/9 , 9/10 16APSK 2/3 , 3/4 , 4/5 , 5/6 , 8/9 , 9/10 32APSK 3/4 , 4/5 , 5/6 , 8/9 , 9/10
Symbol rate DVB-S:	QPSK: 1 ... 45 MSymb/s
Symbol rate DVB-S2:	QPSK: 4.5 ... 45 MSymb/s 8PSK: 4.5 ... 45 MSymb/s 16APSK: 4.5 ... 39 MSymb/s 32APSK: 4.5 ... 32 MSymb/s
Maximum data rate/tuner:	83MBit/s
Level range:	60 dB $\mu$ V ... 80 dB $\mu$ V
Input impedance:	75 $\Omega$
LNC 12 V supply:	maximum 600 mA at each input limited to a total output of 12 W

### LAN interface (for data)

Standard:	1 000-BASE-T
Data rate:	$\leq$ 800 MBit
Protocols:	UDP (User Data Protocol), RTP (Real-Time Transport Protocol)

 Live Streaming/Multicast Streaming requires specially designed and configured networks.

Minimum Requirements include:

- Layer-3 Switched Ethernet
- Multicast Enabled IGMPv2/3
- Network and Multicast Routing Supported.

### Connections

SAT inputs:	4 F sockets
LAN (for control/cascading) 100-BASE-T:	2 RJ45 socket
LAN (for data) 1000-BASE-T:	1 RJ45 socket

### General

Mains units:	2 (can be replaced separately during operation)
Supply voltage:	100...130 V ~ / 190...250 V, 50/60 Hz
Power consumption:	40 W (without LNC supply)
Ambient temperature:	0...+50 $^{\circ}$ C
Dimensions (W x H x D):	490 mm x 44.5 mm (1HU) x 490 mm