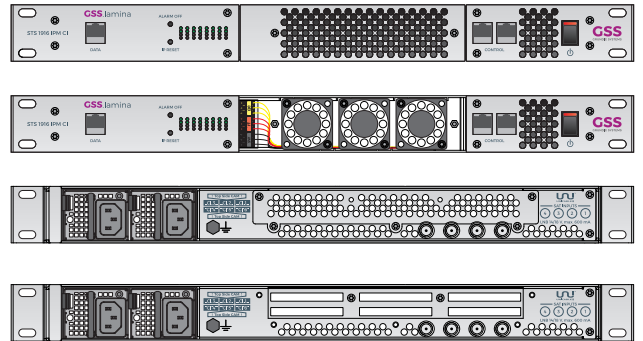


Head-End Station

16 x DVB-S2 → 16 x MPTS + 6 x CI

Features

- Up to 4 satellites with each 4 levels in conjunction with SUCP 516 – Option Unicable II
- 4 SAT IF inputs with integrated multiswitch
- 16 DVB-S2 tuners
 - with 16/32APSK support
- Station filter:
 - Programmes can be removed
 - Programme data stream incl. modification of the tables
- Transport Stream Processing:
 - Adjustable output data rate
- 6 CI slots for CA modules for Tuner 1 – 6
- HTML user interface
- World wide access via OpenVPN connection...
 - ... by PC, tablet or smart phone with Internet access
- Redundant power supply
 - Two fully satisfying mains units in half load operation;
 - for UPS and mains or two-phase operation.
 - Audible warning when one power supply fails;
 - individually replaceable during operation
- Fan cooling
 - Fans can be replaced separately during operation
- Warning e-mail in case of transponder, fan or power supply failure



IPTV

DVB
Digital Video Broadcasting

multi
MD
digital®

16/32
APSK

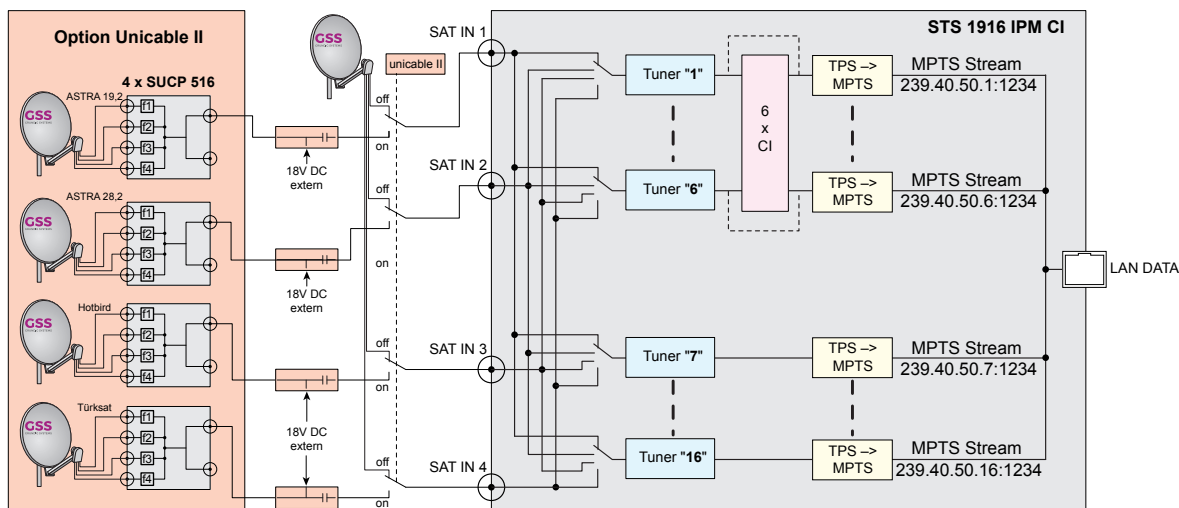
LOW WATT

REMOTE **RC**
CONTROL

REMOTE **RU**
UPDATE

KLASSE **A**
CLASS

CE



Technical data:

The devices meet the EU directives 2011/65/EU, 2014/30/EU and 2014/35/EU.
The product fulfils the guidelines and standards for CE labelling.

Unless otherwise noted all values are specified as "typical".

RF input DVB-S2

Frequency range:	910 ... 2150 MHz
DVB-S modes:	QPSK 1/2 , 2/3 , 3/4 , 5/6 , 7/8
DVB-S2 modes:	QPSK 1/2 , 3/5 , 2/3 , 3/4 , 4/5 , 5/6 , 8/9 , 9/10 8PSK 3/5 , 2/3 , 3/4 , 5/6 , 8/9 , 9/10 16APSK 2/3 , 3/4 , 4/5 , 5/6 , 8/9 , 9/10 32APSK 3/4 , 4/5 , 5/6 , 8/9 , 9/10
Symbol rate DVB-S:	QPSK: 1 ... 45 MSymb/s
Symbol rate DVB-S2:	QPSK: 4.5 ... 45 MSymb/s 8PSK: 4.5 ... 45 MSymb/s 16APSK: 4.5 ... 39 MSymb/s 32APSK: 4.5 ... 32 MSymb/s
Maximum data rate/tuner:	83MBit/s
Level range:	60 dB μ V ... 80 dB μ V
Input impedance:	75 Ω
LNC 12 V supply:	14 V/18 V max. 500 mA

LAN interface (for data)

Standard:	1000-BASE-T
User data rate:	\leq 800 MBit/s
Protocols:	UDP (User Data Protocol), RTP (Real-Time Transport Protocol)

💡 Live Streaming/Multicast Streaming requires specially designed and configured networks.

Minimum Requirements include:

- Layer-3 Switched Ethernet
- Multicast Enabled IGMPv3
- Network and Multicast Routing Supported.

Connections

SAT inputs:	4 F sockets
LAN (for control/cascading) 100-BASE-T:	2 RJ45 socket
LAN (for data) 1000-BASE-T:	1 RJ45 socket

General

Mains units:	2 (can be replaced separately during operation)
Supply voltage:	100...130 V ~ / 190...250 V, 50/60 Hz
Maximum Power consumption	75 W
Ambient temperature:	0...+50 $^{\circ}$ C
Dimensions (W x H x D):	490 mm x 44.5 mm (1HU) x 490 mm