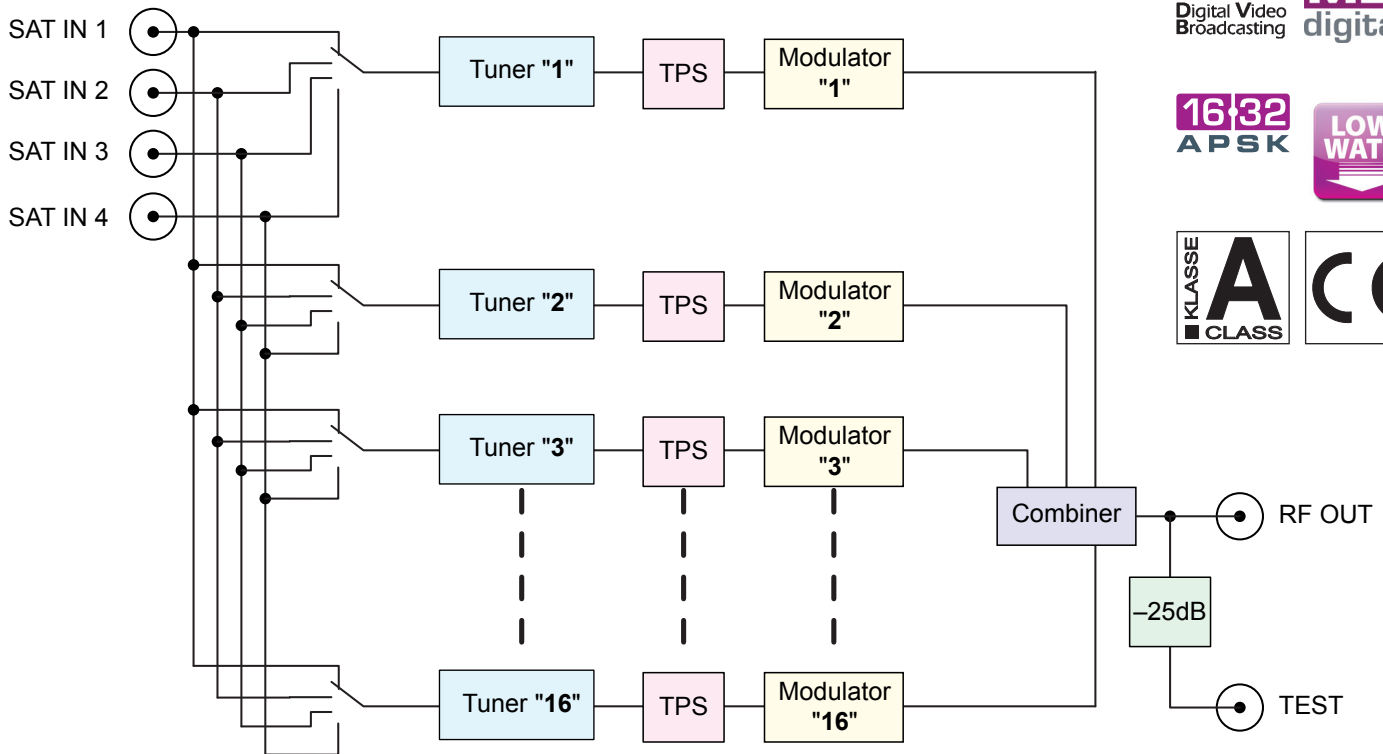
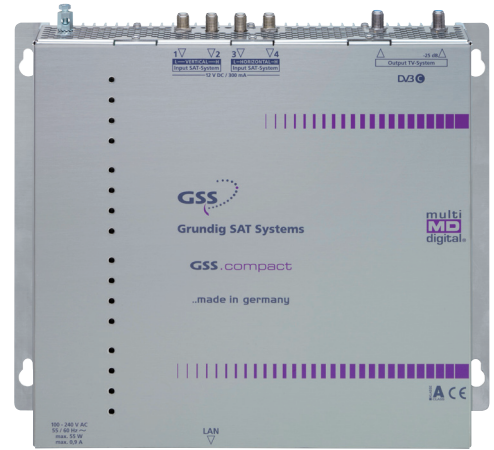


## Head-End Station

### 16 x DVB-S2 → QAM

#### Features

- Direct Conversion
- 4 SAT IF inputs VL, VH, HL, HH
- 16 DVB-S2 tuners with 16/32APSK support
  - SAT input selectable
- 16 QAM full band modulators
  - Electronically adjustable output level
- Station filter:
  - Programmes can be removed  
(Programme data stream incl. modification of the tables)
- HTML user interface



## Technical data:

The devices meet the EU directives 2011/65/EU, 2014/30/EU and 2014/35/EU.  
The product fulfils the guidelines and standards for CE labelling.

Unless otherwise noted all values are specified as "typical".

### RF input DVB-S2

|                          |  |
|--------------------------|--|
| Frequency range:         | 910 ... 2150 MHz   |
| DVB-S modes:             | QPSK 1/2 , 2/3 , 3/4 , 5/6 , 7/8   |
| DVB-S2 modes:            | QPSK 1/2 , 3/5 , 2/3 , 3/4 , 4/5 , 5/6 , 8/9 , 9/10<br>8PSK 3/5 , 2/3 , 3/4 , 5/6 , 8/9 , 9/10<br>16APSK 2/3 , 3/4 , 4/5 , 5/6 , 8/9 , 9/10<br>32APSK 3/4 , 4/5 , 5/6 , 8/9 , 9/10 |
| Symbol rate DVB-S:       | QPSK: 1 ... 45 MSymb/s   |
| Symbol rate DVB-S2:      | QPSK: 4.5 ... 45 MSymb/s<br>8PSK: 4.5 ... 45 MSymb/s<br>16APSK: 4.5 ... 39 MSymb/s<br>32APSK: 4.5 ... 32 MSymb/s   |
| Maximum data rate/tuner: | 83MBit/s   |
| Level range:             | 60 dB $\mu$ V ... 80 dB $\mu$ V  |
| Input impedance:         | 75 $\Omega$  |
| LNC 12 V supply:         | maximum 300 mA   |

### RF output

|                      |                             |
|----------------------|-----------------------------|
| Frequency range:     | 42.0 MHz ... 868.0 MHz      |
| Types of modulation: | QAM 4, 16, 32, 64, 128, 256 |
| Output level:        | 80...96 dB $\mu$ V          |
| Dynamic phase error: | < 0.2 °                     |
| MER:                 | 45 dB                       |
| Output impedance:    | 75 $\Omega$                 |
| Symbol rate:         | 1000...7500 kBd             |

### Connections

|                                |               |
|--------------------------------|---------------|
| SAT inputs:                    | 4 F sockets   |
| RF output:                     | 1 F socket    |
| RF test output (-25 dB):       | 1 F socket    |
| LAN (for control) 1000-BASE-T: | 1 RJ45 socket |

### General

|                         |                                      |
|-------------------------|--------------------------------------|
| Supply voltage:         | 100...240 V ~, 50/60 Hz              |
| Power consumption:      | 40 W (without LNC supply); max. 55 W |
| Ambient temperature:    | 0...+50 °C                           |
| Dimensions (W x H x D): | 341 mm x 282 mm x 85 mm              |
| Weight:                 | 5 kg                                 |