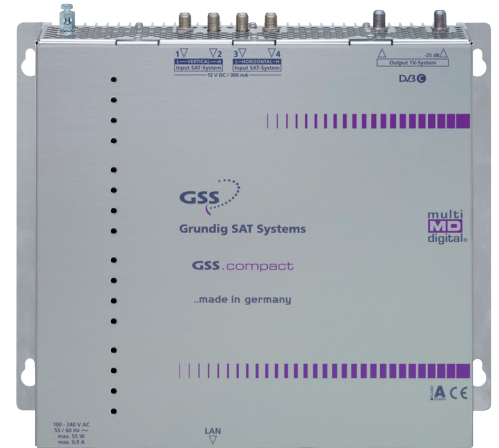


## Head-End Station 16 x DVB-S2 → QAM

### Features

- Direct Conversion
- 4 SAT IF inputs VL, VH, HL, HH
- 16 DVB-S2 tuners with 16/32APSK support
  - SAT input selectable
- 16 QAM full band modulators
  - Electronically adjustable output level
- Station filter:
  - Programmes can be removed  
(Programme data stream incl. modification of the tables)
- Transport Stream Processing:
  - Network Information Table (NIT)  
for complete head-end station
  - LCN (Logical Channel Numbering)
- Media player (option)
  - 1 stream in continuous loop via one channel
- HTML user interface
- World wide access via OpenVPN connection...
  - ... by PC, tablet or smart phone with Internet access



**HDTV**

**DVB**  
Digital Video  
Broadcasting

multi  
**MD**  
digital®

**16/32**  
APSK

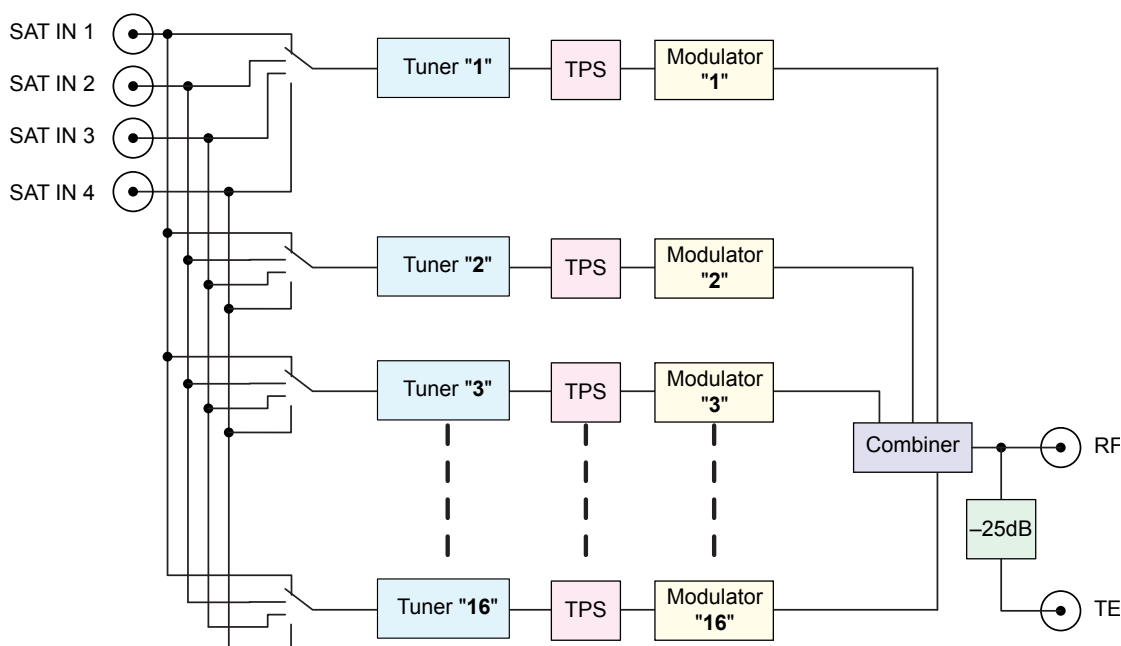
**LOW**  
WATT

REMOTE  
**RC**  
CONTROL

REMOTE  
**RU**  
UPDATE

KLASSE  
**A**  
CLASS

**CE**



## Technical data:

The devices meet the EU directives 2011/65/EU, 2006/95/EC and 2004/108/EC.  
The product fulfils the guidelines and standards for CE labelling.



Assembly instruction

Unless otherwise noted all values are specified as "typical".

### RF input DVB-S2

Frequency range:	910 ... 2150 MHz
DVB-S modes:	QPSK 1/2 , 2/3 , 3/4 , 5/6 , 7/8
DVB-S2 modes:	QPSK 1/2 , 3/5 , 2/3 , 3/4 , 4/5 , 5/6 , 8/9 , 9/10 8PSK 3/5 , 2/3 , 3/4 , 5/6 , 8/9 , 9/10 16APSK 2/3 , 3/4 , 4/5 , 5/6 , 8/9 , 9/10 32APSK 3/4 , 4/5 , 5/6 , 8/9 , 9/10
Symbol rate DVB-S:	QPSK: 1 ... 45 MSymb/s
Symbol rate DVB-S2:	QPSK: 4.5 ... 45 MSymb/s 8PSK: 4.5 ... 45 MSymb/s 16APSK: 4.5 ... 39 MSymb/s 32APSK: 4.5 ... 32 MSymb/s
Maximum data rate/tuner:	83MBit/s
Level range:	60 dB $\mu$ V ... 80 dB $\mu$ V
Input impedance:	75 $\Omega$
LNB 13 V supply:	maximum 500 mA

### RF output

Frequency range:	42.0 MHz ... 868.0 MHz
Types of modulation:	QAM 4, 16, 32, 64, 128, 256
Output level:	80...96 dB $\mu$ V
Dynamic phase error:	< 0.2 °
MER:	45 dB
Output impedance:	75 $\Omega$
Symbol rate:	1000...7500 kBd

### Connections

SAT inputs:	4 F sockets
RF output:	1 F socket
RF test output (-25 dB):	1 F socket
LAN (for control) 1000-BASE-T:	1 RJ45 socket

### General

Supply voltage:	100...240 V ~, 50/60 Hz
Power consumption:	40 W (without LNC supply); max. 55 W
Ambient temperature:	0...+50 °C
Dimensions (W x H x D):	341 mm x 282 mm x 85 mm
Weight:	5 kg