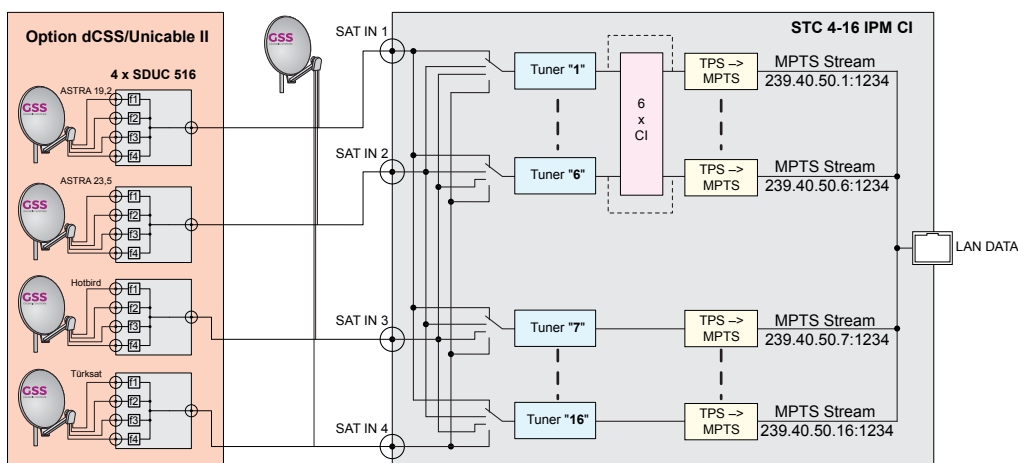
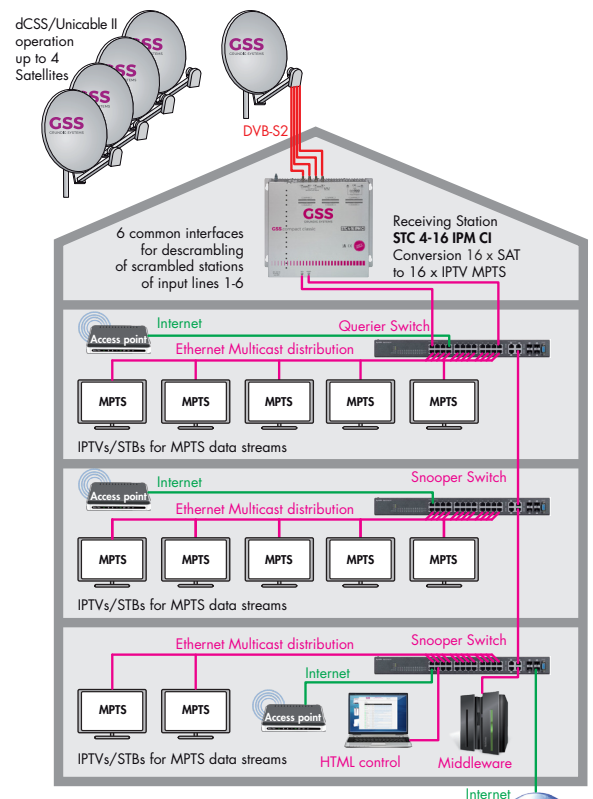


## Head-End Station with CI 16 x DVB-S2 → 16 x MPTS

### Features

- Direct Conversion
- 4 SAT IF inputs with integrated multiswitch
- Up to 4 satellites with each 4 levels in conjunction with specially programmed multi-switches
- 16 DVB-S2 tuners with 16/32APSK support
  - SAT input selectable
- Station filter:
  - Programmes can be removed
  - Modification of programme data stream incl. tables
  - PID filter (drop/remap)
- Transport Stream Processing:
  - Network Information Table (NIT) for complete head-end station
  - LCN (Logical Channel Numbering)
  - Data rate adjustable
- 6 CI slots for CA modules for Tuner 1 – 6
- HTML user interface
- World wide access via OpenVPN connection...
  - ... by PC, tablet or smart phone with Internet access
- Notification in case of data overflow or transponder failure
  - Response time for input signal or data overflow error adjustable.
  - Warning e-mail for error entries in the logbook.



## Technical data:

The devices meet the EU directives 2011/65/EU, 2014/30/EU and 2014/35/EU.  
The product fulfils the guidelines and standards for CE labelling.

Unless otherwise noted all values are specified as "typical".

### RF input DVB-S2

Frequency range:	910 ... 2150 MHz
DVB-S modes:	QPSK 1/2 , 2/3 , 3/4 , 5/6 , 7/8
DVB-S2 modes:	QPSK 1/2 , 3/5 , 2/3 , 3/4 , 4/5 , 5/6 , 8/9 , 9/10 8PSK 3/5 , 2/3 , 3/4 , 5/6 , 8/9 , 9/10 16APSK 2/3 , 3/4 , 4/5 , 5/6 , 8/9 , 9/10 32APSK 3/4 , 4/5 , 5/6 , 8/9 , 9/10
Symbol rate DVB-S:	QPSK: 1 ... 45 MSymb/s
Symbol rate DVB-S2:	QPSK: 4.5 ... 45 MSymb/s 8PSK: 4.5 ... 45 MSymb/s 16APSK: 4.5 ... 39 MSymb/s 32APSK: 4.5 ... 32 MSymb/s
Maximum data rate/tuner:	83MBit/s
Level range:	60 dB $\mu$ V ... 80 dB $\mu$ V
Input impedance:	75 $\Omega$
LNC supply:	14 V/18 V; max. 500 mA

### LAN interface (for data)

Standard:	1000-BASE-T
Data rate:	$\leq$ 820 MBit/s
IGMP:	V2
Protocols:	UDP (User Data Protocol), RTP (Real-Time Transport Protocol)

 Live Streaming/Multicast Streaming requires specially designed and configured networks.

Minimum Requirements include:

- Layer-3 Switched Ethernet
- Multicast Enabled IGMPv2
- Network and Multicast Routing Supported.

### Connections

SAT inputs:	4 F sockets
LAN (for data) 1000-BASE-T:	1 RJ45 socket
LAN (for control) 1000-BASE-T:	1 RJ45 socket
Common Interface:	6 (several channels can be descrambled)

### General

Supply voltage:	200...240 V ~, 50/60 Hz
Power consumption:	30 W (without LNC supply; without CI); max. 70 W
Ambient temperature:	0...+50 $^{\circ}$ C
Cooling:	passive, fanless
Dimensions (W x H x D):	341 mm x 282 mm x 105 mm
Weight:	7 kg