

Technical Specification



STC 4-16 CT lite

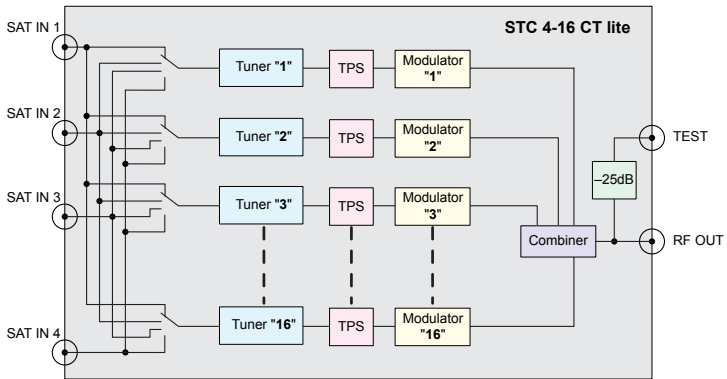
Default access data:
192.168.0.120
User: admin
Password: geheim

GSS.compact classic

DESCRIPTION

The head-end station converts 16 transponders modulated acc. to DVB-S/DVB-S2 standard (up to 32 APSK) into 16 DVB-C or DVB-T modulated transponders.

BLOCK DIAGRAM



DESIGN TYPE

Version GSS.compact classic
 Stainless steel housing 341 x 282 x 85 mm wall mounting
 Weight: 5 kg
 Permissible ambient temperature: 0 ... +50 °C
 Cooling passive, fanless

FEATURES

IN-/OUTPUTS

SAT IF inputs 4 (inputs 1...4)
 LNB power supply 14V/18V; switchable max. 500 mA
 DVB-C/T output 1
 DVB-C/T test output (-25 dB) 1
 LAN control input 1

INPUT SIGNAL PROCESSING

Individual input designation (inputs 1...4) adjustable; e.g. satellite/level
 Individual input signal name for input lines 1...16

Input lines 1...16 DVB-S/S2; inputs 1...4 selectable
 Display of frequency offset and C/N with reserve

FILTER

Station filter	lines 1...16
PID filter	lines 1...16
TS/ON ID Remapping	lines 1...16
Display of the current/maximum possible ³⁾ total output data rate	Σ lines 1...16
Display of the current output data rate	lines 1...16
Display of peak value of output data rate reached so far	lines 1...16
Display of maximum possible output data rate ³⁾	lines 1...16

³⁾ depending on the output settings

OUTPUT SIGNAL PROCESSING

Output lines	16
Output signal form	RF
Display of the current/maximum possible ³⁾ output data rate	for output lines 1...16

³⁾ depending on the output settings

RF output signals

Output modulation adjustable for the complete station

Output lines can be switched off individually

Total output level adjustable

QAM

Frequency/Channel; Symbol rate; Modulation, Spectrum, Level (0...-10dB) individually adjustable for each output line.

COFDM

Frequency/Channel; Spectrum; Modulation; Code rate; Guard interval; Bandwidth; Level (0...-10dB) individually adjustable for each output line

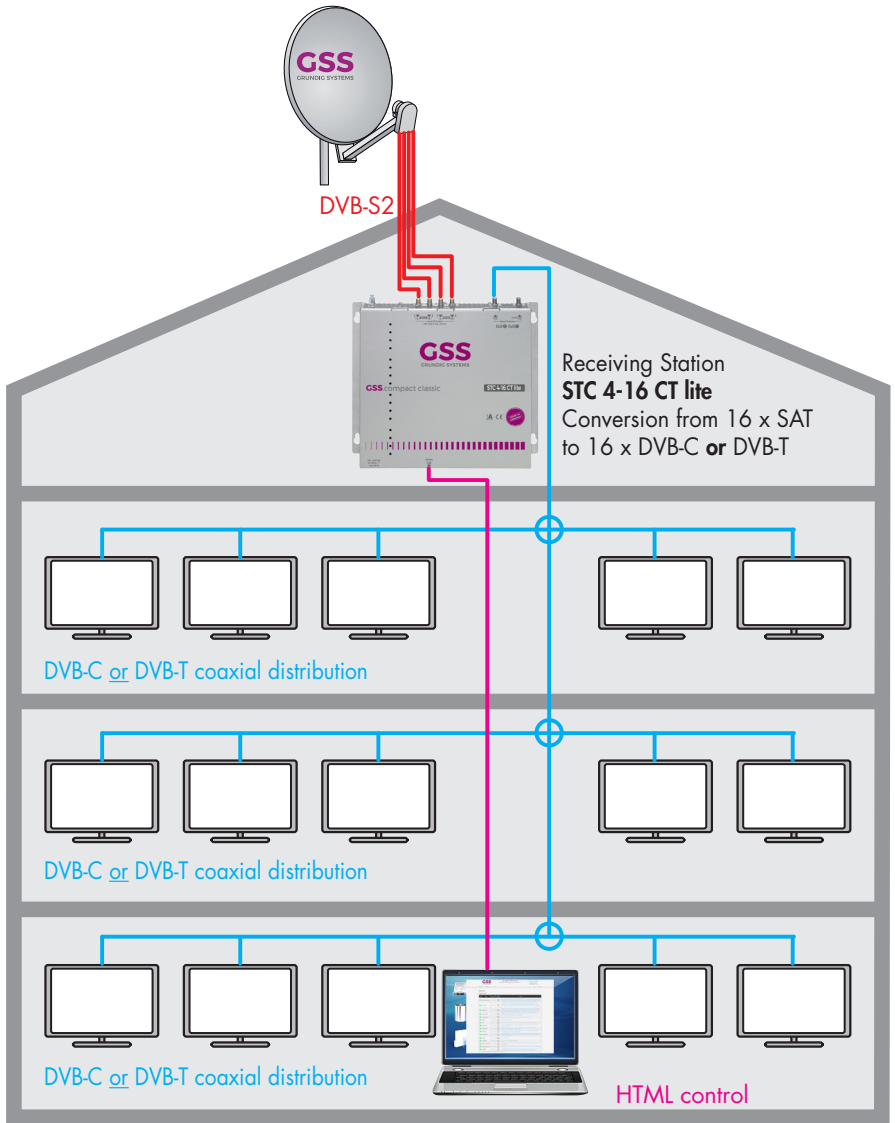
SYSTEM

User interface	HTML
Logbook	Display of warnings and events
Response times adjustable	for input signal and data overflow errors
Notification in case of errors	via mail ⁴⁾

⁴⁾ Internet connection required

Network interface	adjustable
Safety	Password protection
Number format for IDs	switchable decimal or hexadecimal
Backup the configuration	Backup and restore
Manager	several configurations can be stored in the device
Network diagnostic tool	Ping
Factory reset (via menu "Firmware")	all settings except password and IP address!
Reset button	only network settings and password
Assembly instruction (offline; PDF)	in menu Help

APPLICATION EXAMPLE



TECHNICAL DATA

The devices meet the EU directives 2011/65/EU, 2014/30/EU and 2014/35/EU.
The product fulfils the guidelines and standards for CE labelling.

Unless otherwise noted all values are specified as "typical".

RF input DVB-S/S2 (ETSI 300 421)

Frequency range:	950 ... 2150 MHz
DVB-S mode:	QPSK
DVB-S2 modes:	QPSK, 8PSK, 16APSK, 32APSK
Symbol rate DVB-S:	QPSK: 1 ... 45 MSymb/s
Symbol rate DVB-S2:	
QPSK	4.5 ... 45 MSymb/s
8PSK	4.5 ... 45 MSymb/s
16APSK	4.5 ... 39 MSymb/s
32APSK	4.5 ... 32 MSymb/s
Maximum data rate/tuner	83 MBit/s
Level range:	60 dB μ V ... 80 dB μ V
Input impedance:	75 Ω
LNC supply:	14 V/18 V; max. 500 mA

RF output QAM (suitable for adjacent channels; symbol rates and modulation individually adjustable)

Frequency range:	42.0 MHz ... 868.0 MHz
Types of modulation:	QAM 4, 16, 32, 64, 128, 256
Output level:	80...96 dB μ V
Dynamic phase error:	< 0.2 °
MER:	> 45 dB
Output impedance:	75 Ω
Symbol rate:	1000...7500 kBd

RF output COFDM (suitable for adjacent channels; modulation individually adjustable)

Frequency range:	42.0 MHz ... 868.0 MHz
Types of modulation:	QPSK, 16 QAM, 64 QAM
Transmission modes	2k
Code rates	1/2, 2/3, 3/4, 5/6, 7/8
Guard intervals	1/4, 1/8, 1/16, 1/32
Output level:	80...96 dB μ V
Output impedance:	75 Ω

Connections

SAT inputs:	4 F sockets
RF output:	1 F socket
RF test output (-25 dB):	1 F socket
LAN (for control) 100-BASE-T:	1 RJ 45 socket

General

Mains voltage:	100...240V~, 50/60 Hz
Power consumption without LNC	45 W
Maximum Power consumption:	65 W
Admissible ambient temperature:	0 ... +50 °C
Cooling	passive, fanless
Dimensions (WxHxD):	341 x 282 x 85 mm
Weight:	5 kg

GSS Grundig Systems GmbH • Beuthener Straße 43 • D-90471 Nuremberg
Phone: +49 (0) 911 / 633 240 0 • Fax: +49 (0) 911 / 633 240 98
www.gss.de/en • info@gss.de



Service: Phone: +49 (0) 911 / 633 240 90 • service@gss.de