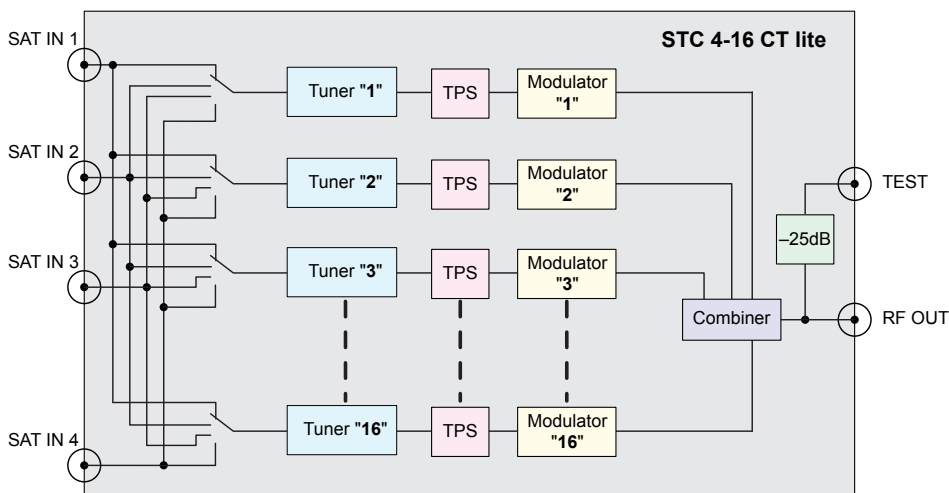
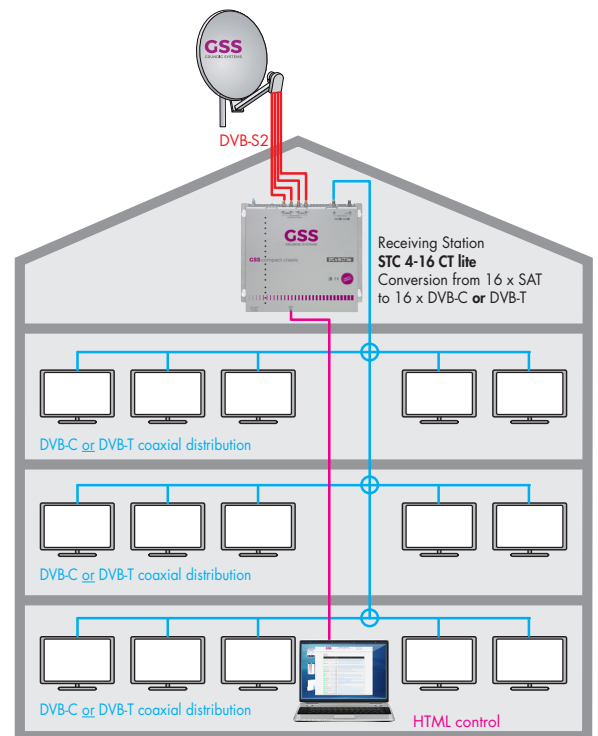


Head-End Station

16 x DVB-S2 → QAM or COFDM

Features

- Direct Conversion
- 4 SAT IF inputs with integrated multiswitch
- 16 DVB-S2 tuners with 16/32APSK support
 - SAT input selectable
- 16 QAM/COFDM full band modulators
 - Modulation type switchable between QAM or COFDM
 - Electronically adjustable output level
- Station filter:
 - Programmes can be removed
 - Programme data stream incl. modification of the tables
- Transport Stream Processing:
 - Adjustable data rate
- HTML user interface
- Notification in case of data overflow or transponder failure
 - Response time for input signal or data overflow error adjustable.
 - Warning e-mail for error entries in the logbook.



Technical data:

The devices meet the EU directives 2011/65/EU, 2014/30/EU and 2014/35/EU.

The product fulfils the guidelines and standards for CE labelling.

Unless otherwise noted all values are specified as "typical".

RF input DVB-S2

Frequency range:	910 ... 2150 MHz
DVB-S modes:	QPSK 1/2 , 2/3 , 3/4 , 5/6 , 7/8
DVB-S2 modes:	QPSK 1/2 , 3/5 , 2/3 , 3/4 , 4/5 , 5/6 , 8/9 , 9/10 8PSK 3/5 , 2/3 , 3/4 , 5/6 , 8/9 , 9/10 16APSK 2/3 , 3/4 , 4/5 , 5/6 , 8/9 , 9/10 32APSK 3/4 , 4/5 , 5/6 , 8/9 , 9/10
Symbol rate DVB-S:	QPSK: 1 ... 45 MSymb/s
Symbol rate DVB-S2:	QPSK/ 8PSK: 4.5 ... 45 MSymb/s 16APSK: 4.5 ... 39 MSymb/s 32APSK: 4.5 ... 32 MSymb/s
Maximum data rate/tuner:	83MBit/s
Level range:	60 dB μ V ... 80 dB μ V
Input impedance:	75 Ω
LNC supply:	maximum total output of 500 mA

RF output QAM

Frequency range:	42.0 MHz ... 868.0 MHz
Types of modulation:	QAM 16, 32, 64, 128, 256
Output level:	80...96 dB μ V
Dynamic phase error:	< 0.2 °
MER:	45 dB
Symbol rate:	1000...7500 kBd
Output impedance:	75 Ω

RF output COFDM

Frequency range:	42.0 MHz ... 868.0 MHz
Output level:	80...96 dB μ V
Transmission modes:	2k
Types of modulation:	QPSK, 16 QAM, 64 QAM
Code rates:	1/2, 2/3, 3/4, 5/6, 7/8
Guard intervals:	1/4, 1/8, 1/16, 1/32
Output impedance:	75 Ω

Connections

SAT inputs:	4 F sockets
RF output:	1 F socket
RF test output (-25 dB):	1 F socket
LAN (for control) 1000-BASE-T:	1 RJ45 socket

General

Supply voltage:	100...240 V ~, 50/60 Hz
Power consumption:	45 W (without LNC supply); max. 65 W
Ambient temperature:	0...+50 °C
Cooling:	passive, fanless
Dimensions (W x H x D):	341 mm x 282 mm x 85 mm
Weight:	5 kg