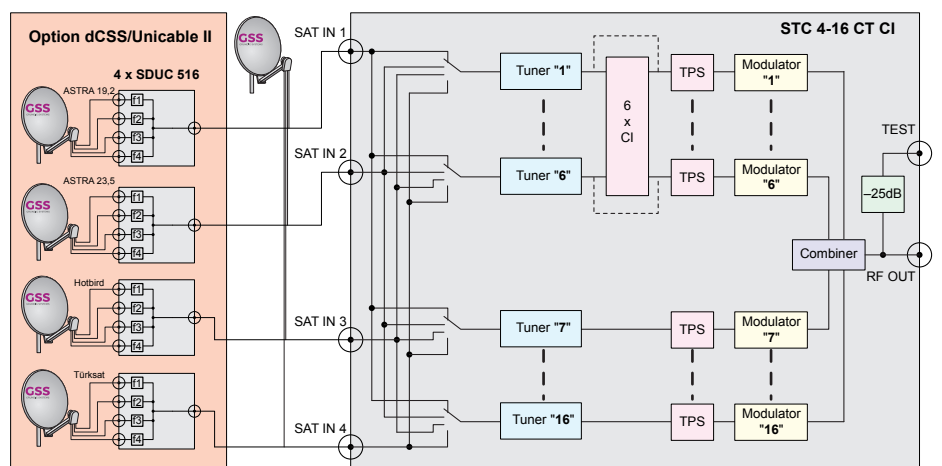
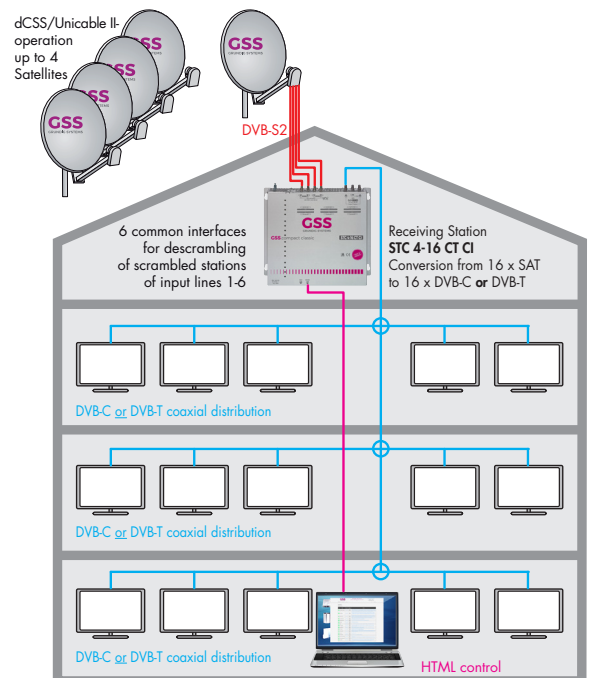


Head-End Station with CI 16 x DVB-S2 → QAM or COFDM

Features

- Direct Conversion
- 4 SAT IF inputs with integrated multiswitch
- Up to 4 satellites with each 4 levels in conjunction with specially programmed multi-switches
- 16 DVB-S2 tuners with 16/32APSK support
 - SAT input selectable
- 16 QAM/COFDM full band modulators
 - Modulation type switchable between QAM or COFDM
 - Electronically adjustable output level
 - suitable for adjacent channels
 - Symbol rates and modulation individually adjustable
- Station filter:
 - Programmes can be removed
 - Modification of programme data stream incl. tables
 - PID filter (drop/remap)
- Transport Stream Processing:
 - Network Information Table (NIT) for complete head-end station
 - LCN (Logical Channel Numbering)
 - Adjustable data rate
 - TS-/ON IDs can be changed
- 6 CI slots for CA modules for Tuner 1 – 6
- Media player (option)
 - 1 stream in continuous loop via one channel
- HTML user interface
- World wide access via OpenVPN connection...
 - ... by PC, tablet or smart phone with Internet access
- Notification in case of data overflow or transponder failure
 - Response time for input signal or data overflow error adjustable.
 - Warning e-mail for error entries in the logbook.



Technical data:

The devices meet the EU directives 2011/65/EU, 2014/30/EU and 2014/35/EU.

The product fulfils the guidelines and standards for CE labelling.

Unless otherwise noted all values are specified as "typical".

RF input DVB-S2

Frequency range:	910 ... 2150 MHz
DVB-S modes:	QPSK 1/2 , 2/3 , 3/4 , 5/6 , 7/8
DVB-S2 modes:	QPSK 1/2 , 3/5 , 2/3 , 3/4 , 4/5 , 5/6 , 8/9 , 9/10 8PSK 3/5 , 2/3 , 3/4 , 5/6 , 8/9 , 9/10 16APSK 2/3 , 3/4 , 4/5 , 5/6 , 8/9 , 9/10 32APSK 3/4 , 4/5 , 5/6 , 8/9 , 9/10
Symbol rate DVB-S:	QPSK: 1 ... 45 MSymb/s
Symbol rate DVB-S2:	QPSK: 4.5 ... 45 MSymb/s 8PSK: 4.5 ... 45 MSymb/s 16APSK: 4.5 ... 39 MSymb/s 32APSK: 4.5 ... 32 MSymb/s
Maximum data rate/tuner	83MBit/s
Level range:	60 dB μ V ... 80 dB μ V
Input impedance:	75 Ω
LNC supply:	14 V/18 V; max. 500 mA

RF output QAM

Frequency range:	42.0 MHz ... 868.0 MHz
Types of modulation:	QAM 16, 32, 64, 128, 256
Output level:	80...96 dB μ V
Dynamic phase error:	< 0.2 °
MER:	> 45 dB
Symbol rate:	1000...7500 kBd
Output impedance:	75 Ω

RF output COFDM

Frequency range:	42.0 MHz ... 868.0 MHz
Channels:	C5 ... C12, C21 ... C69
Output level:	80...96 dB μ V
Transmission modes:	2k
Types of modulation:	QPSK, 16 QAM, 64 QAM
Code rates:	1/2, 2/3, 3/4, 5/6, 7/8
Guard intervals:	1/4, 1/8, 1/16, 1/32
Output impedance:	75 Ω

Connections

SAT inputs:	4 F sockets
RF output:	1 F socket
RF test output (-25 dB):	1 F socket
LAN (for control) 100-BASE-T:	1 RJ45 socket
Common Interface:	6 (several channels can be descrambled)

General

Supply voltage:	200...240 V ~, 50/60 Hz
Power consumption:	40 W (without LNC supply; without CI); max. 80 W
Ambient temperature:	0...+50 °C
Cooling	passive, fanless
Dimensions (W x H x D):	341 mm x 282 mm x 105 mm
Weight:	7 kg