

Head-End Station

From 16 x RF + 16 x MPTS/SPTS any multiplex to 16 x MPTS

Features

6 x DVB-S2/S2X/C/T/T2 with CI + 10 x DVB-S2/S2X + 16 x MPTS/SPTS → 16 x MPTS

Input:

- Up to 4 satellites with each 4 levels in conjunction with SUCP 516.1 – Option Unicable II
- 4 SAT IF inputs VL, VH, HL, HH; 1 terrestrial input – Input selectable
- 6 DVB-S2/S2X/T/T2/C tuners (tuners 1 – 6)
- 6 CI slots for CA modules (for tuners 1 – 6)
- Scrambling of selected Services (for tuners 1 – 6)
- 10 DVB-S2/S2X tuners (tuners 7 – 16)
- 16 x MPTS/SPTS (Multiple/Single Programme Transport Stream)



Output:

- 16 x MPTS (Multiple Programme Transport Stream)
Max. 256 Services / max. 256 PCR corrections / max. 256 EIT.
Overall data rate max. 900 Mbit/s.
– Free adjustable IP addresses.
– Automatic M3U list generation (for e.g. Panasonic SATIP TVs)
- HTML user interface
- World wide access via OpenVPN connection
- Redundant power supply (two fully satisfying mains units)
– Audible warning when one power supply fails; individually replaceable during operation
- Fan cooling (fans can be replaced separately during operation)
- Warning e-mail in case of transponder, fan or power supply failure

IPTV

DVB
Digital Video Broadcasting

multi
MD
digital®

16/32
APSK

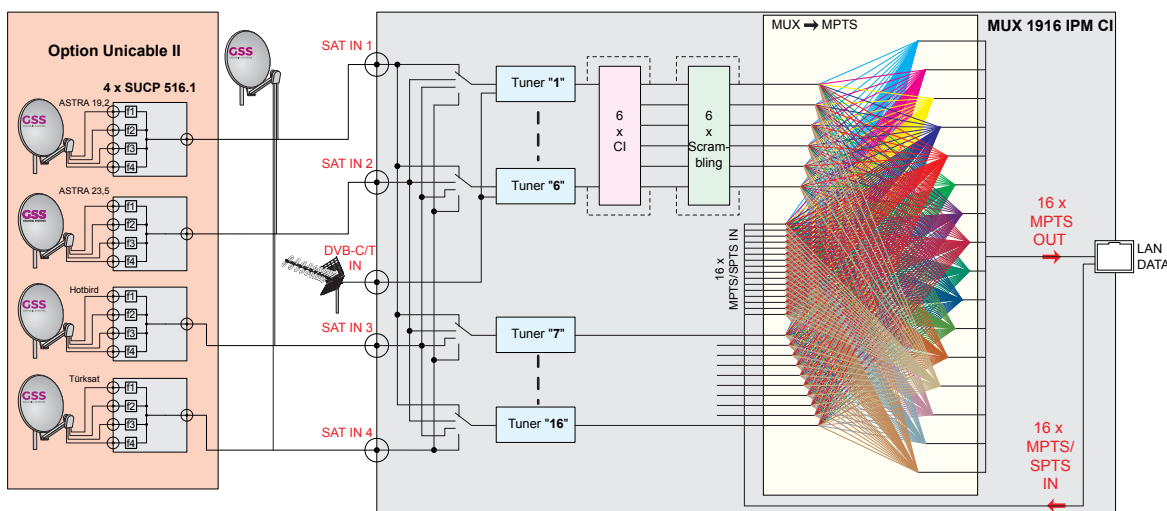
LOW WATT

REMOTE **RC**
CONTROL

REMOTE **RU**
UPDATE

KLASSE **A**
CLASS

CE



Technical data:

The devices meet the EU directives 2011/65/EU, 2014/30/EU and 2014/35/EU.

The product fulfils the guidelines and standards for CE labelling.

Unless otherwise noted all values are specified as "typical".

RF input DVB-S2/S2X

Frequency range:	910 ... 2150 MHz
DVB-S modes:	QPSK 1/2 , 2/3 , 3/4 , 5/6 , 7/8
DVB-S2 modes:	QPSK 1/2 , 3/5 , 2/3 , 3/4 , 4/5 , 5/6 , 8/9 , 9/10 8PSK 3/5 , 2/3 , 3/4 , 5/6 , 8/9 , 9/10 16APSK 2/3 , 3/4 , 4/5 , 5/6 , 8/9 , 9/10 32APSK 3/4 , 4/5 , 5/6 , 8/9 , 9/10
DVB-S2X modes:	QPSK, 8PSK, 8APSK-L, 16APSK(-L), 32APSK(-L)
Symbol rate DVB-S:	QPSK: 1 ... 45 MSymb/s
Symbol rate DVB-S2:	QPSK: 4.5 ... 45 MSymb/s 8PSK: 4.5 ... 45 MSymb/s 16APSK: 4.5 ... 39 MSymb/s 32APSK: 4.5 ... 32 MSymb/s
Maximum data rate/tuner:	83MBit/s
Level range:	60 dB μ V ... 80 dB μ V
Input impedance:	75 Ω
LNC supply:	14 V/18 V; maximum total output of 500 mA

RF input DVB-T/T2/C acc. to EN 302755 v1.3.1/300429


Channels	C5...C12, S21...S41, C21...C69
Frequency range:	42 ... 866 MHz
Input level:	60 dB μ V ... 80 dB μ V

Input data

Maximum over all input data rate (Σ lines 1-32):	900 MBit/s
--	------------

Output data

Data rate:	\leq 900 MBit/s
Services:	max. 256
PCR Corrections:	max. 256
EIT:	max. 256
Protocols:	UDP (User Data Protocol), RTP (Real-Time Transport Protocol)

 Live Streaming/Multicast Streaming requires specially designed and configured networks.

Connections

SAT inputs:	4 F sockets
Terrestrial input:	1 F socket
LAN (for control/cascading) 100-BASE-T:	2 RJ45 socket
LAN (for data) 1000-BASE-T:	1 RJ45 socket

General

Mains units:	2 (can be replaced separately during operation)
Supply voltage:	100...240 V, 50/60 Hz
Maximum Power consumption	85 W
Ambient temperature:	0...+50 $^{\circ}$ C
Dimensions (W x H x D):	483 mm x 44.5 mm (1HU) x 490 mm