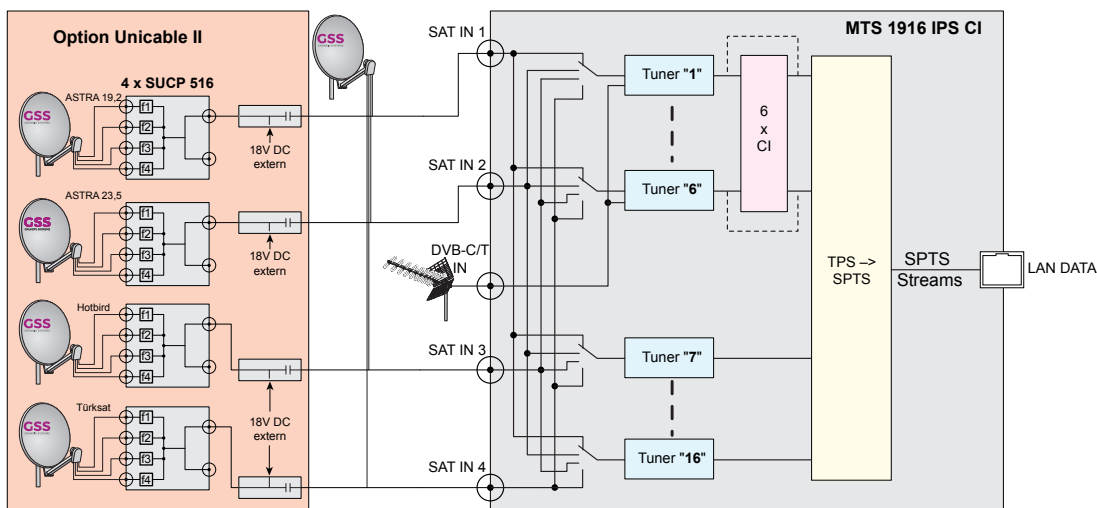


Head-End Station

6 x DVB-S2/C/T/T2 + 10 x DVB-S2 → 128 x SPTS + 6 x CI

Features

- Up to 4 satellites with each 4 levels in conjunction with SUCP 516 – Option Unicable II
- 4 SAT IF inputs VL, VH, HL, HH; 1 terrestrial input – Input selectable
- 6 DVB-S2/T/T2/C tuners (tuners 1 – 6)
- 10 DVB-S2 tuners (tuners 7 – 16)
- 128 x SPTS (Single Programme Transport Stream)
Up to 128 services can be converted into IP SPTS transport streams.
Overall data rate max. 800 Mbit/s.
 - Free adjustable IP addresses.
 - EPG; can be switched off in order to reduce data rate.
 - Session Announcement Protocol (SAP) is supported.
 - Automatic M3U list generation (for e.g. Panasonic SATIP TVs)
- 6 CI slots for CA modules (for tuners 1 – 6)
- HTML user interface
- World wide access via OpenVPN connection...
... by PC, tablet or smart phone with Internet access.
- Redundant power supply (two fully satisfying mains units)
 - Audible warning when one power supply fails; individually replaceable during operation
 - Mains cable with lockable connector
- Fan cooling
 - Fans can be replaced separately during operation
- Warning e-mail in case of transponder, fan or power supply failure



IPTV

DVB
Digital Video
Broadcasting

multi
MD
digital®

16/32
APSK

LOW
WATT

REMOTE
RC
CONTROL

REMOTE
RU
UPDATE

KLASSE
A
CLASS

CE



Technical data:

The devices meet the EU directives 2011/65/EU, 2014/30/EU and 2014/35/EU.
The product fulfils the guidelines and standards for CE labelling.

Unless otherwise noted all values are specified as "typical".

RF input DVB-S2

Frequency range:	910 ... 2150 MHz
DVB-S modes:	QPSK 1/2 , 2/3 , 3/4 , 5/6 , 7/8
DVB-S2 modes:	QPSK 1/2 , 3/5 , 2/3 , 3/4 , 4/5 , 5/6 , 8/9 , 9/10 8PSK 3/5 , 2/3 , 3/4 , 5/6 , 8/9 , 9/10 16APSK 2/3 , 3/4 , 4/5 , 5/6 , 8/9 , 9/10 32APSK 3/4 , 4/5 , 5/6 , 8/9 , 9/10
Symbol rate DVB-S:	QPSK: 1 ... 45 MSymb/s
Symbol rate DVB-S2:	QPSK: 4.5 ... 45 MSymb/s 8PSK: 4.5 ... 45 MSymb/s 16APSK: 4.5 ... 39 MSymb/s 32APSK: 4.5 ... 32 MSymb/s
Maximum data rate/tuner:	83MBit/s
Level range:	60 dB μ V ... 80 dB μ V
Input impedance:	75 Ω
LNC supply:	14 V/18 V; maximum total output of 500 mA

RF input DVB-T/T2/C acc. to EN 302755 v1.3.1/300429

Channels	C5...C12, S21...S41, C21...C69
Frequency range:	42 ... 866 MHz
Input level:	60 dB μ V ... 80 dB μ V

LAN interface (for data)

Standard:	1000-BASE-T
Data rate:	\leq 800 MBit/s
Protocols:	UDP (User Data Protocol), RTP (Real-Time Transport Protocol)

 Live Streaming/Multicast Streaming requires specially designed and configured networks.

Minimum Requirements include:

- Multicast Enabled IGMPv3
- Network and Multicast Routing Supported.

Connections

SAT inputs:	4 F sockets
Terrestrial input:	1 F socket
LAN (for control/cascading) 100-BASE-T:	2 RJ45 socket
LAN (for data) 1000-BASE-T:	1 RJ45 socket

General

Mains units:	2 (can be replaced separately during operation)
Supply voltage:	100...130 V ~ / 190...250 V, 50/60 Hz
Maximum Power consumption	75 W
Ambient temperature:	0...+50 $^{\circ}$ C
Dimensions (W x H x D):	490 mm x 44.5 mm (1HU) x 490 mm